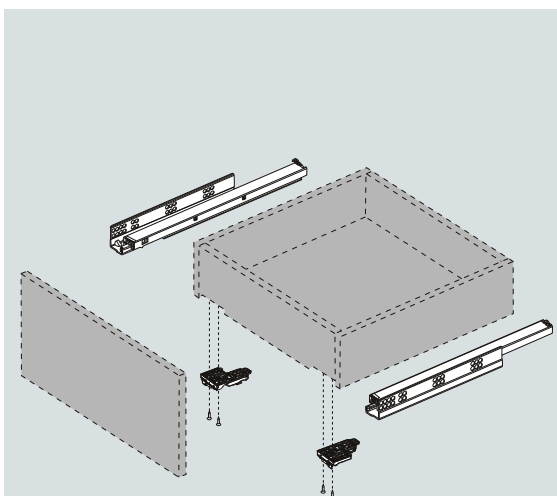
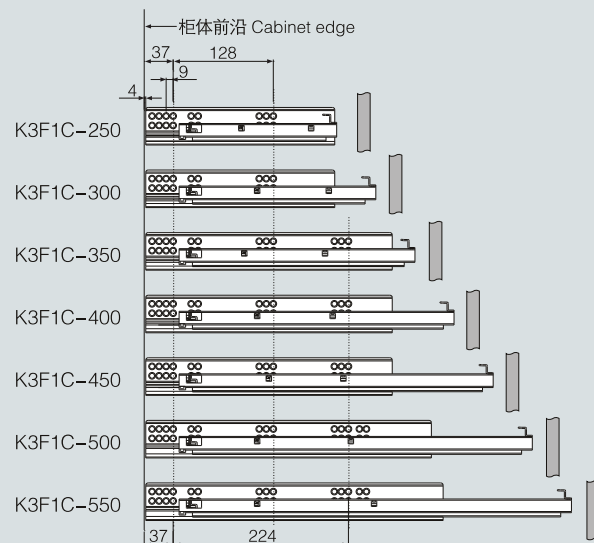


- 隐藏式、全拉出、静音式
- 载重: 35kg
- 材料: 镀锌板
- 材料厚度(上、中、下)轨: 1.0x1.5x1.8mm
- 无需工具, 抽屉可快速安装与拆卸
- 静音系统, 滑轨运动顺畅
- 三维调节, 高度调节0~3mm, 左右调节±2mm, 前后调节0~4mm
- 缓冲功能 平缓关闭
- Concealed, full extension, quiet movement
- Dynamic load capacity: 35kg
- Material: galvanized steel
- Material thickness: 1.0x1.5x1.8mm
- Tool-free quick installation
- Quiet system guarantees the slides run smoothly without noise
- 6-way adjustment, 0~3mm highly, ±2mm left and right, 0~4mm before and after
- Soft-closing function make the drawer close safely without effect of weight

可选二方位调节分离器  
2 directions locking device

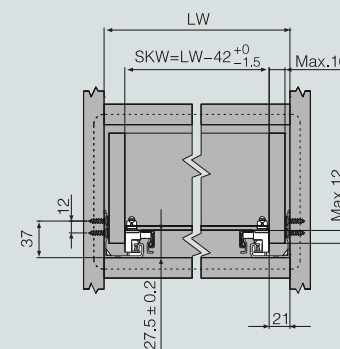
六方位调节分离器  
6 directions locking device

**柜体滑轨安装孔尺寸 Hole pattern**



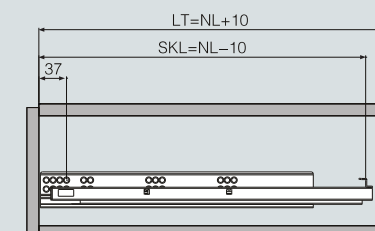
**柜体所需空间 Space required**

SKW: 抽屉净宽 Drawer width  
 LW: 柜体净宽 Inside net width  
 Max.: 最大尺寸



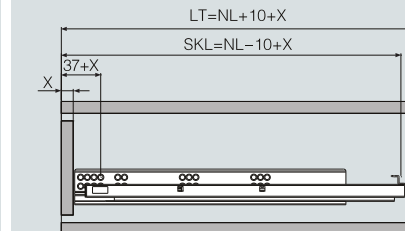
**外置抽屉 Standard drawer**

NL: 标称长度 Nominal length  
 SKL: 抽屉长度 Length of drawer  
 LT: 最小柜深 Min cabinet depth



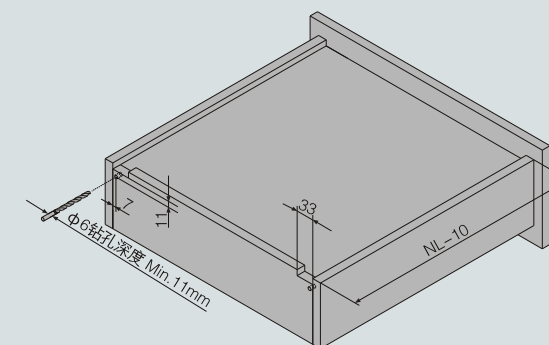
**内置抽屉 Inner drawer**

NL: 标称长度 Nominal length  
 SKL: 抽屉长度 Length of drawer  
 LT: 最小柜深 Min cabinet depth  
 X: 面板厚度 Thickness of the front panel

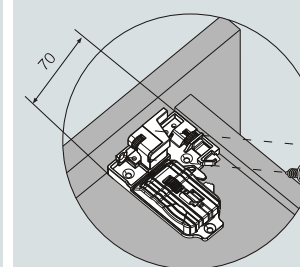


**抽屉后背开槽打孔尺寸 Hole size on rear panel of the drawer**

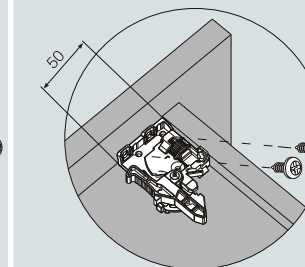
NL: 标称长度 Nominal length  
 Min.: 最小尺寸



**分离器安装 Installation of the locking device**



六方位调节分离器  
6 directions locking device

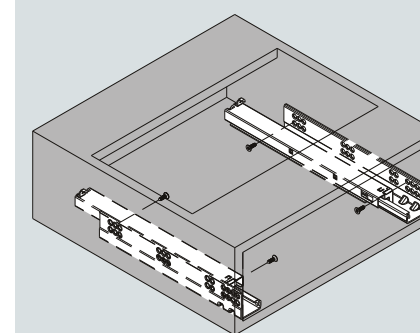


二方位调节分离器  
2 directions locking device

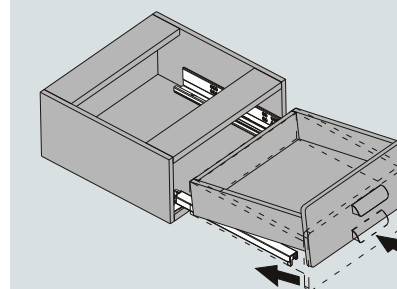
可选配六方位调节分离器或二方位调节分离器  
6 directions locking device or 2 directions locking device

**装卸调试步骤说明 Installation instruction**

**滑轨安装 Installation of the slides**

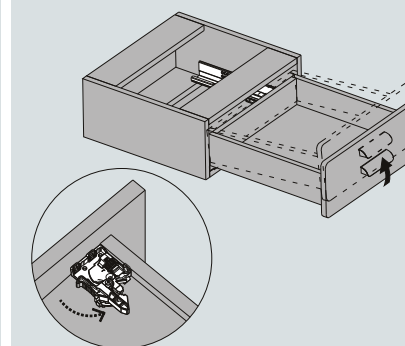


**抽屉安装与调节 Installation of the drawer and adjustment**



将滑轨全拉出, 把抽屉放置于滑轨上, 水平推入柜体, 抽屉即可安装完毕。  
 Fully open the slides and put the drawer on it, then push into cabinet horizontally, the drawer can be installed.

**抽屉拆卸 Removal of the drawer**



双手轻压分离器, 见箭头方向, 即可拆卸  
 Press the locking device with your hands softly in the direction of the arrow, then remove the drawer

产品型号 Item No.	标称长度NL (mm) Nominal length	拉出长度 (mm) Travel length	最小柜深LT (mm) (外抽 / 内抽) Min cabinet depth (Standard / Inner)	包装 (套/箱) Packing (Set/Box)
K3F1C-250	240	229	260 / 260+X	10
K3F1C-300	290	279	310 / 310+X	10
K3F1C-350	340	329	360 / 360+X	10
K3F1C-400	390	379	410 / 410+X	10
K3F1C-450	440	429	460 / 460+X	10
K3F1C-500	490	479	510 / 510+X	10
K3F1C-550	540	529	560 / 560+X	10